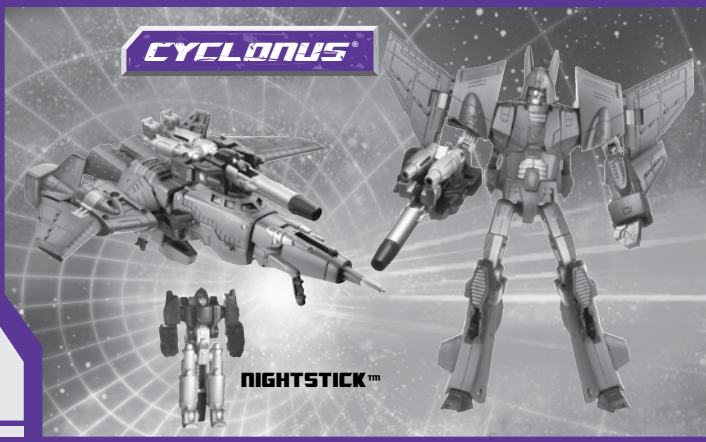


TRANSFORMERS UNIVERSE



WARNING:
CHOKING HAZARD—Small parts.
Not for children under 3 years.
AGES 5+
27099

NOTE: Some parts are made to detach if excessive force is applied and are designed to be reattached if separation occurs. Adult supervision may be necessary for younger children.

CHANGING TO VEHICLE

CYCLONUS

1. Turn the wings inward.
2. Turn the wings further inward.
3. Turn the wings fully inward.
4. Turn the wings inward.
5. Turn the wings inward.
6. Turn the wings inward.
7. Turn the wings inward.
8. Turn the wings inward.
9. Turn the wings inward.
10. Turn the wings inward.
11. Turn the wings inward.
12. Turn the wings inward.
13. Turn the wings inward.
14. Turn the wings inward.

VEHICLE MODE

Reverse order of instructions to convert back to robot.

CHANGING TO CANNON

NIGHTSTICK

1. Turn the wings inward.
2. Turn the wings inward.
3. Turn the wings inward.

CANNON MODE

Reverse order of instructions to convert back to robot.

WEAPON CAN ATTACH AS SHOWN.

TRANSFORMERS UNIVERSE



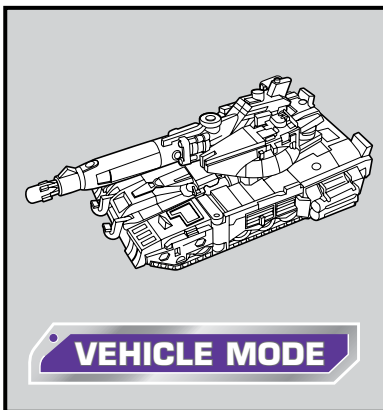
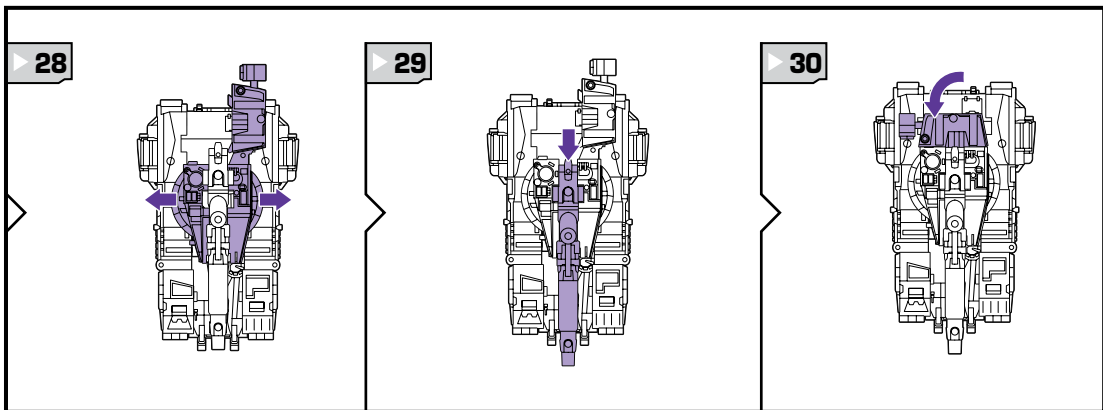
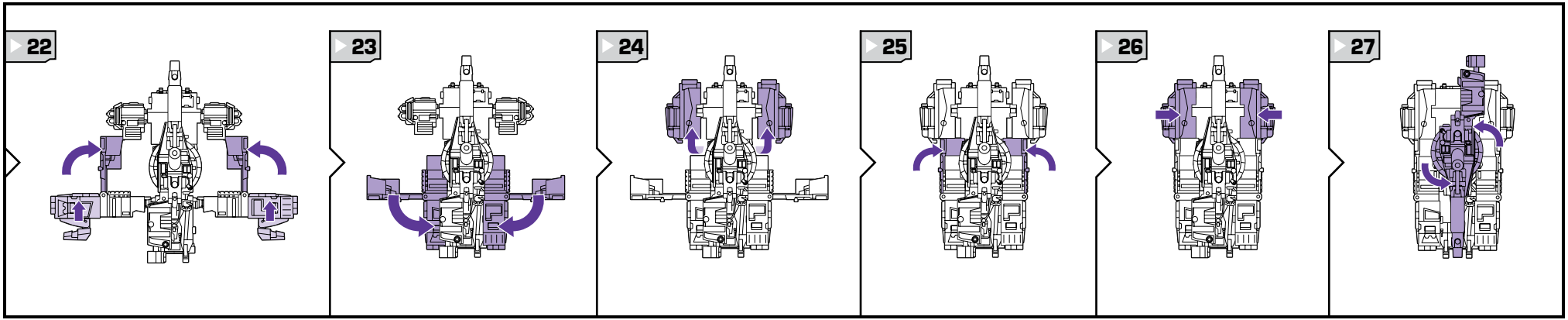
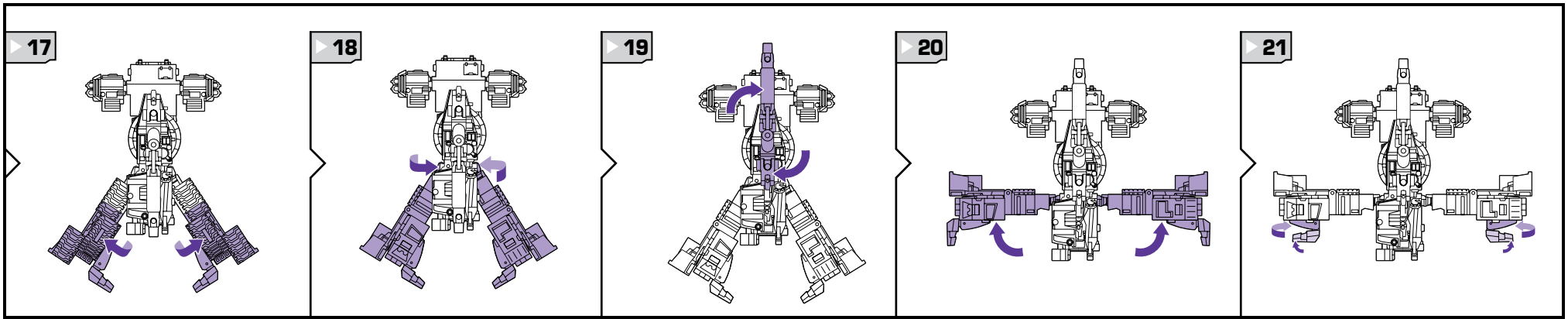
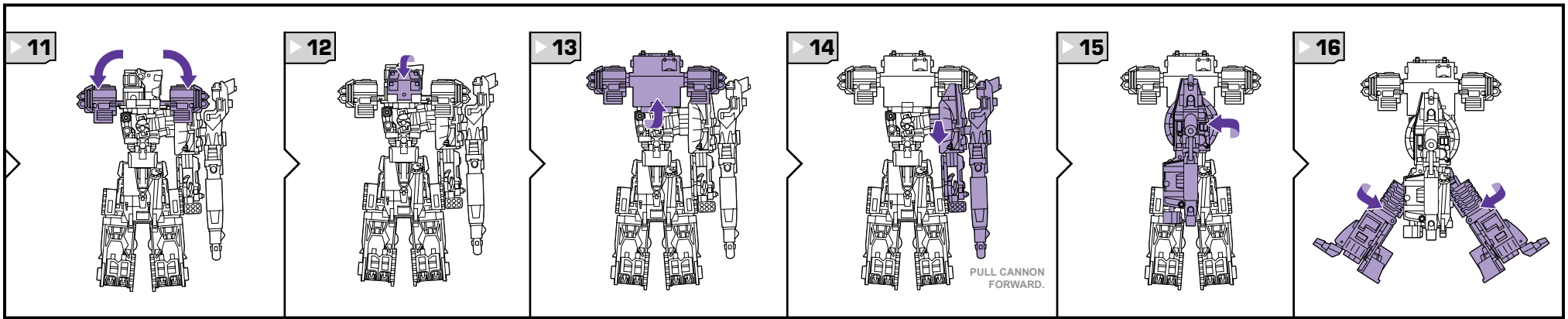
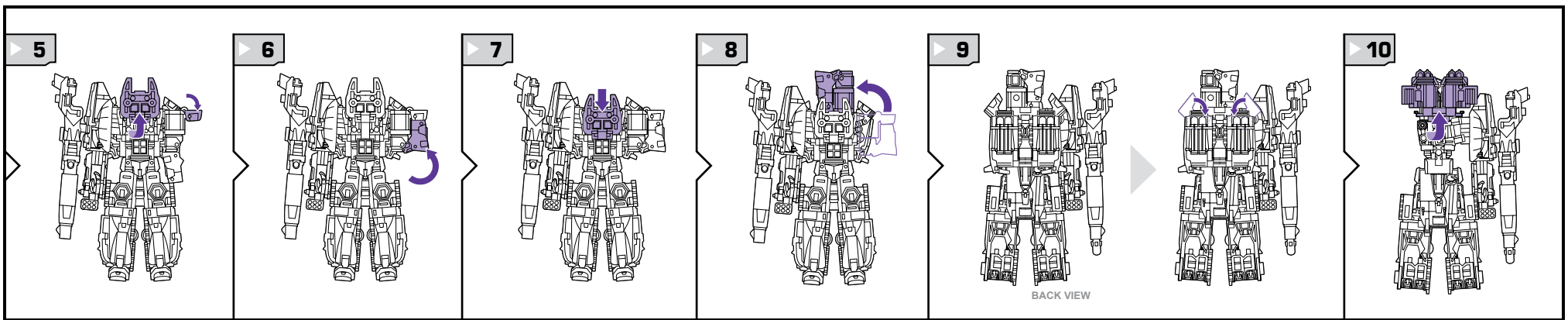
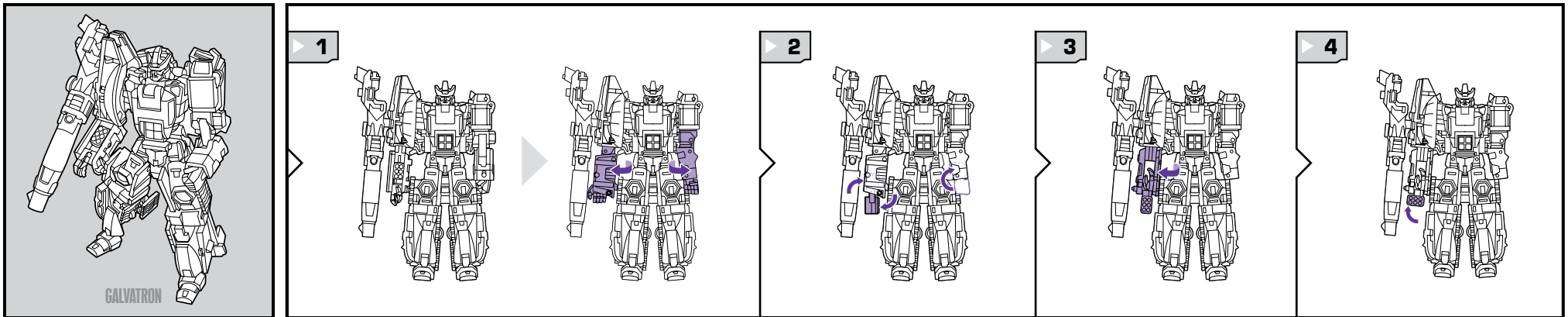
GALVATRON

AGES 5+
27099

NOTE: Some parts are made to detach if excessive force is applied and are designed to be reattached if separation occurs. Adult supervision may be necessary for younger children.

TRANSFORMERS.COM

CHANGING TO VEHICLE



Reverse order of instructions to convert back into robot.

TO LAUNCH MISSILE:

1. Insert missile.
2. Push button to fire.

